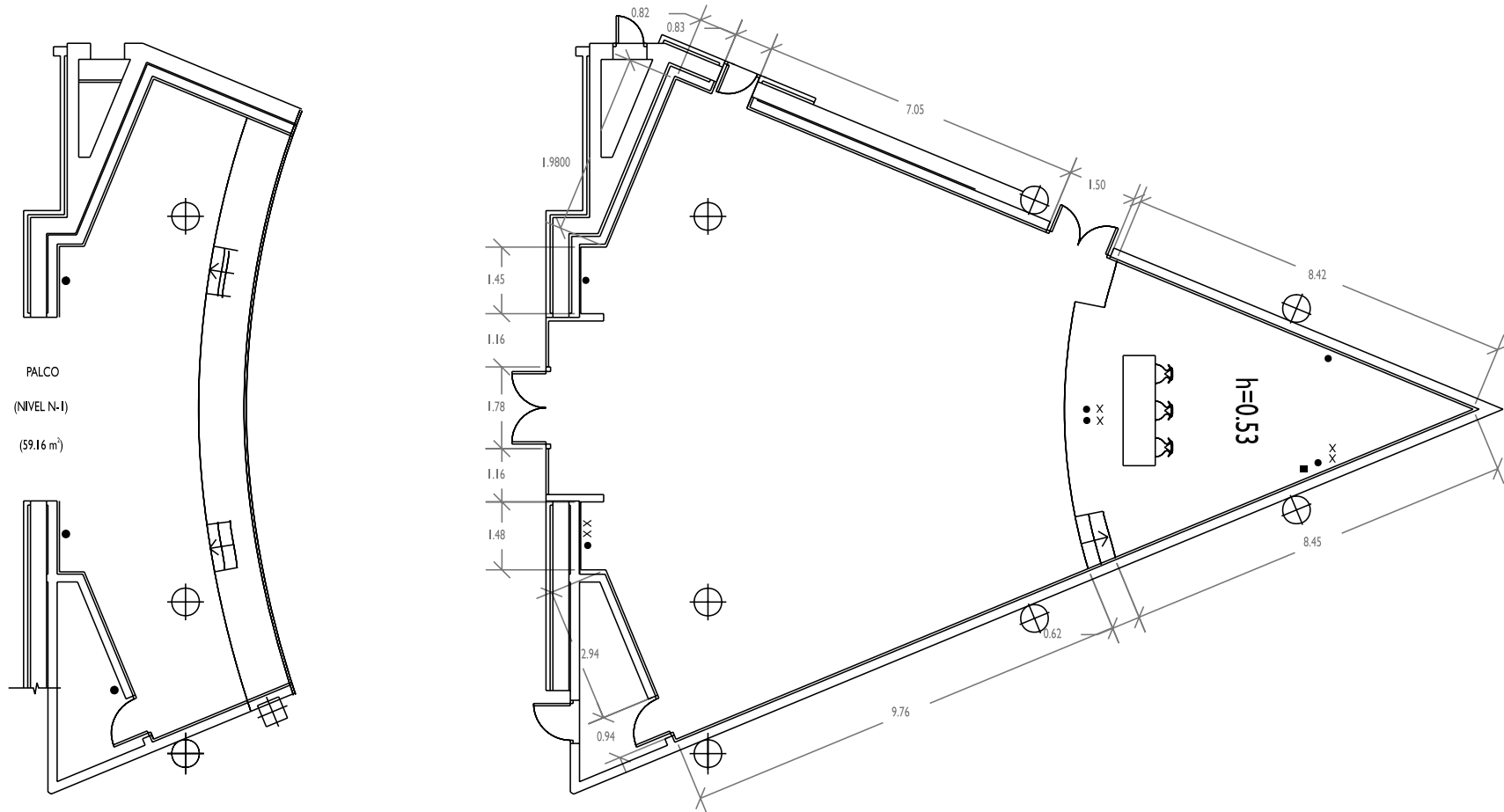


GRAN CANARIA AND TENERIFE ROOMS

(TOTAL: 190 m²)



PALCO
(NIVEL N-1)
(59.16 m²)

- X V+D POINT
- POWER POINT 10/16A
- TV MONITOR POINT



DESCRIPTION

Rooms located at basement level [-2] of the Convention Centre with the following specifications:

Capacity: 150 people in theatre layout	Surface:	190 m ²
60 people in classroom layout	Volume:	807 m ³
40 people in imperial layout	Average room height:	4.25 m
	Stage:	30 m ²
	Stage height:	0.53 m

FURNISHINGS

- Chairs and tables in theatre, classroom or imperial layout. In case of theatre layout, possibility of chairs with notepad arm.
- Lectern, table and chairs for the presidency.

EQUIPMENT AND SUPPLIES IN THE ROOM

- Local megaphony (fixed microphones in the presiding table).
- Air conditioning.
- Ambient lighting and power points (10/16 A).
- Cabling for voice, image and data transmission.
- Fire detection, alarm, evacuation and extinction services.

OPTIONAL SERVICES

- Equipment for sound and image projection and recording.
- Simultaneous translation cabins with infrared system.
- Videoconferencing.
- Cordless megaphony
- Floral decoration.
- Signwriting.
- Audiovisual, light and sound and decor assembly technicians, congress hostesses, translators, security guards, etc.

